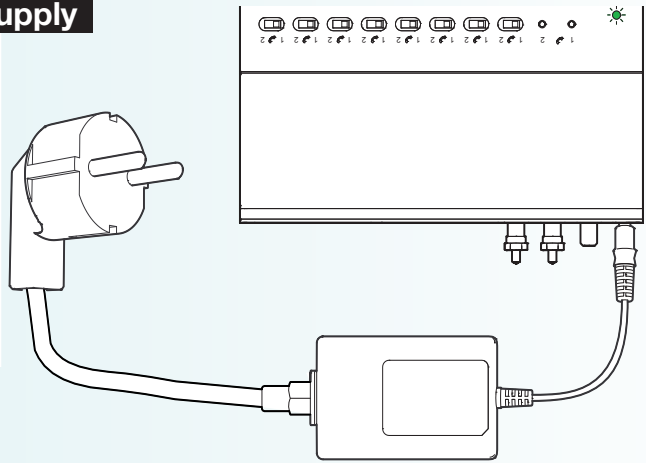
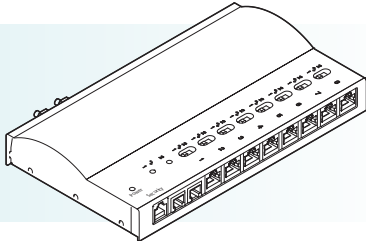
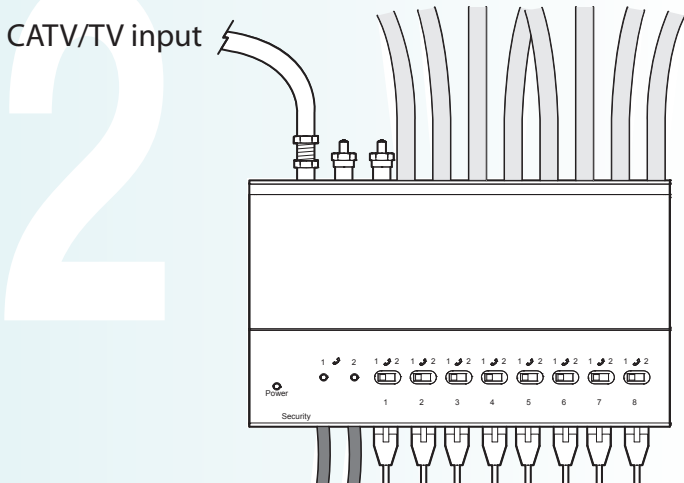


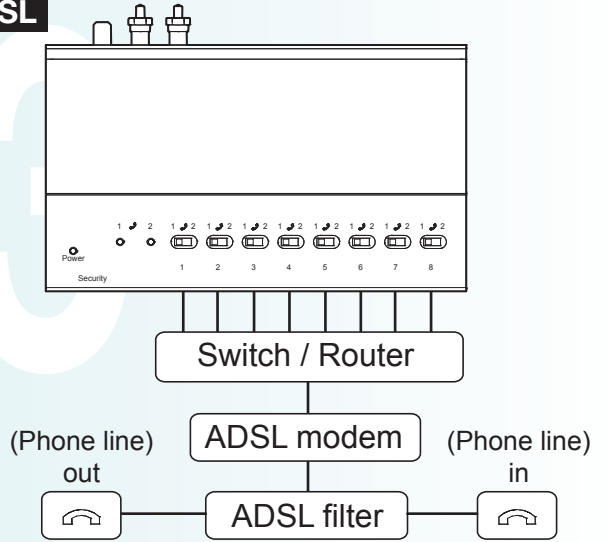
Delta 8 Core unit



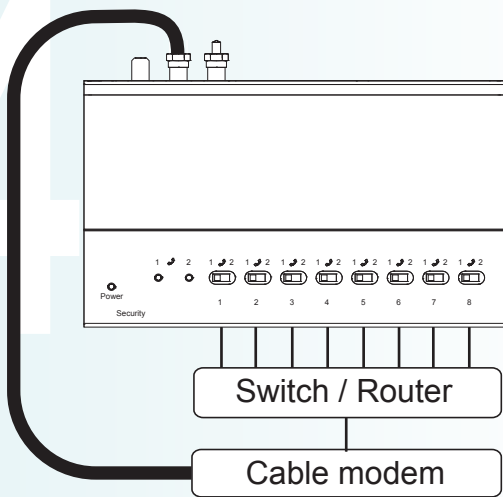
CATV/TV



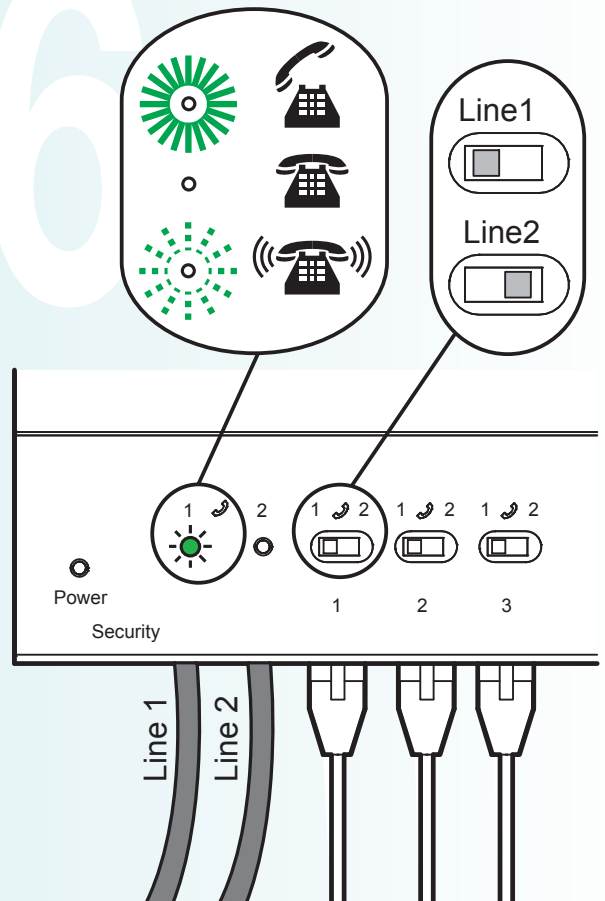
ADSL



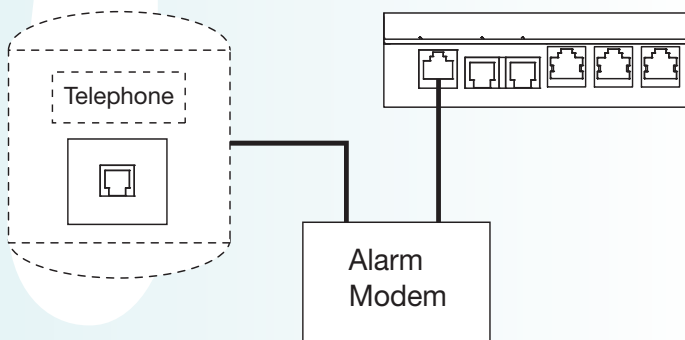
Cable modem



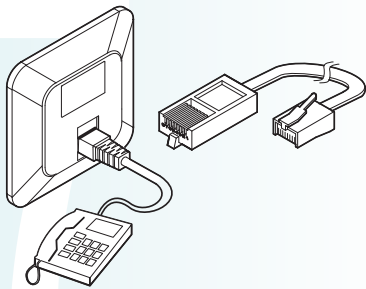
Line selection



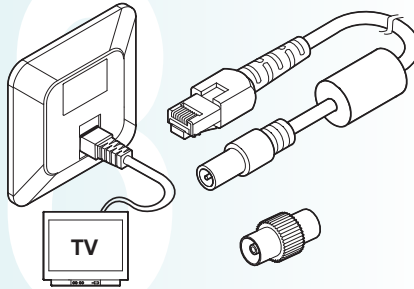
Security on line 1



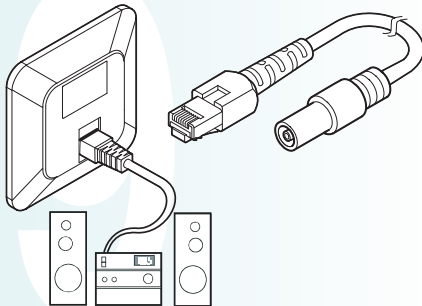
Phone



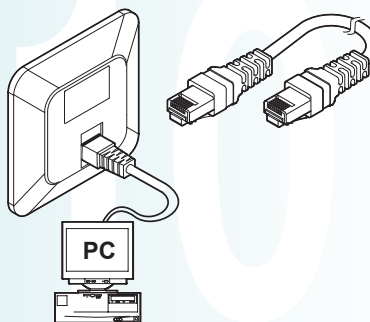
TV/DAB Radio



Radio FM



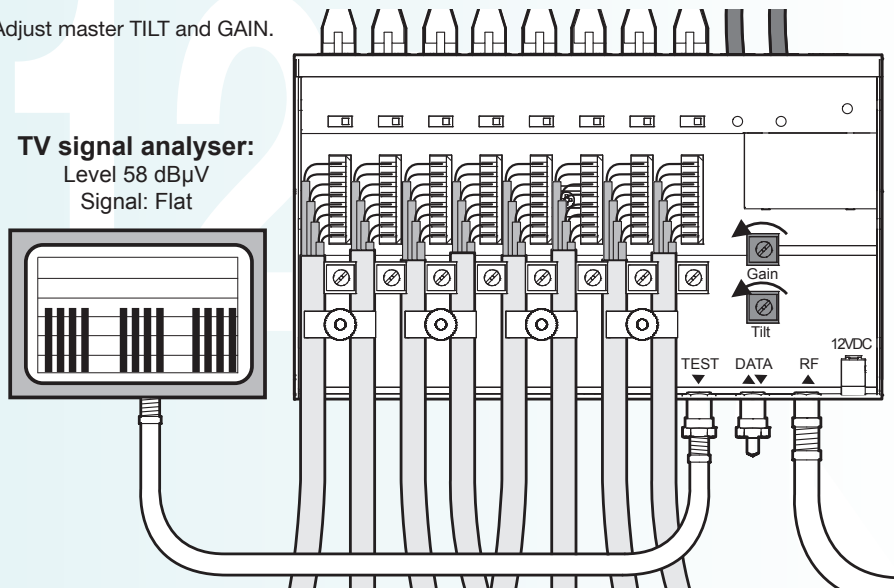
PC/LAN



TV master adjustment

Adjust master TILT and GAIN.

TV signal analyser:
Level 58 dB μ V
Signal: Flat



Technical Data

Electrical data:

Input voltage	12 V D.C.
Power consumption	1.2A @ 12V max.
Screening attenuation	> 90 dB

Tele data:

Configuration	Parallel (REN value=8)
Security jack wiring	Forward on pin 4/5 Receive on pin 1/8

R/TV data:

Bandwidth	47 - 862 MHz.
Input level	60 - 77 dB μ V
Input impedance	75 Ohm.
Return loss	-10 dB min.
Output level	8 x 95 dB μ V
Insertion loss	Input to Data = 4 dB Data to Input = 4 dB
Main tilt ADJ.	+/- 6 dB
Main gain range	-5 to +15 dB

Mechanical data:

Tele line interface	2 x RJ11
Security interface	RJ31x
Patch panel	8 x RJ45 STP
RF interfaces	F-conn. (Female)
LINK interface	LSA
Size	225 x 39 x 145 mm.
Weight	1 kg
Colour	Alu cover